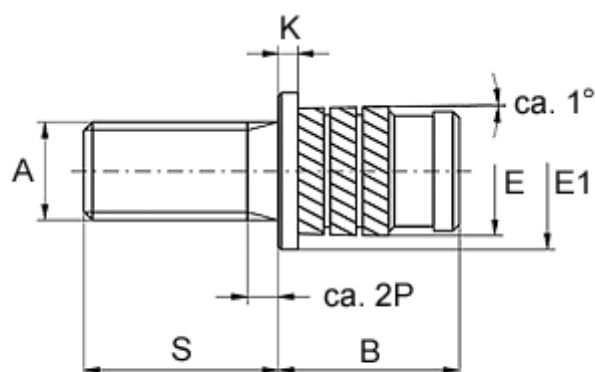


Article number: 12857000080880

Description: KLEE-coil 857 000 080.880
M8 Brass

Measures



Gevindlængde = $S - 2P$
P = stigning

| | |
|---------------------------|-----------|
| Flange diameter E1 | = 11.0 |
| Flange height | = 1.3 |
| Male thread A | = M8x1,25 |
| Min distance to edge | = 3.8 |
| Mounting length B | = 9.2 |
| Outer diameter E | = 9.70 |
| Pin length S | = 25 |
| Recommended bore diameter | = 9.3 |